

DOOR LOOP SDM 30

Door loop type SDM 30 - is a wire conduit to protect exposed wires in order not to be damaged.

PROPERTIES

- : Door loops are **protective means for guiding wires from the frame to doors with installed electrical devices** such as electric locks.
- : **Can be attached to a tapered panel with a width of 25 mm.**
- : It needs a **minimum of space**. It is suitable for narrow door spaces due to its small design.
- : **Easy to maintain.**



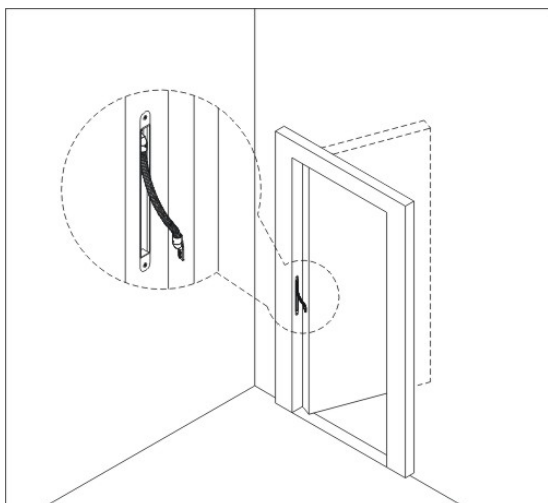
DIMENSIONS



TECHNICAL SPECIFICATIONS

Model:	SDM 30
Connector material:	Embedded box and connector: Iron
Conduit material:	Spring steel
Inner diameter of the conduit:	10,4 mm
Outside diameter of the conduit:	13,8 mm
Length of the conduit:	250 mm
Total length:	325 mm
Weight:	283 g

STRUCTURE DIAGRAM



The leader in door opening solution
www.zadlabacipruchodky.cz
www.acssolution.cz

Updated: 9/2022 | ACS Solution s.r.o. Specifications are subject to change without prior notice. Note: The colors of the images in this brochure may differ from the actual colors.

DOOR LOOP SDM 40

Door loop type SDM 40 - is a wire conduit to protect exposed wires in order not to be damaged.

PROPERTIES

: Door loops are **protective means for guiding wires from the frame to doors with installed electrical devices** such as electric locks.

: **Can be attached to a tapered panel with a width of 25 mm.**

: It needs a **minimum of space**. It is suitable for narrow door spaces due to its small design.

: **Easy to maintain.**



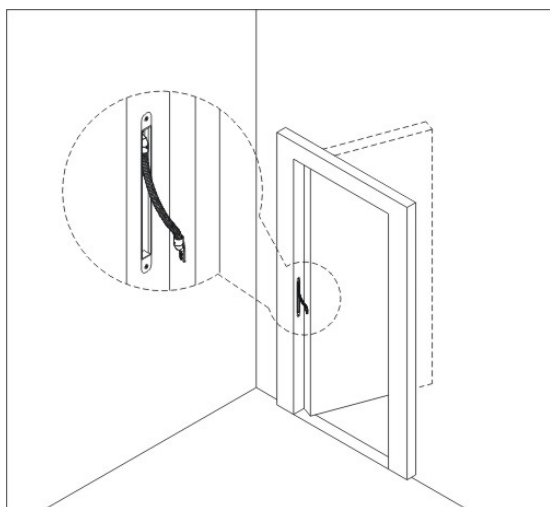
DIMENSIONS



TECHNICAL SPECIFICATIONS

Model:	SDM 40
Connector material:	Embedded box and connector: Iron
Conduit material:	Spring steel
Inner diameter of the conduit:	10,4 mm
Vnější průměr pružiny:	13,8 mm
Outside diameter of the conduit:	416
Total length:	490 mm
Weight:	448 g

STRUCTURE DIAGRAM



The leader in door opening solution
www.zadlabacipruchocky.cz
www.acssolution.cz

Updated: 9/2022 | ACS Solution s.r.o. Specifications are subject to change without prior notice. Note: The colors of the images in this brochure may differ from the actual colors.

DOOR LOOP SDM 50

Door loop type SDM 50 - is a wire conduit to protect exposed wires in order not to be damaged.

PROPERTIES

: Door loops are **protective means for guiding wires from the frame to doors with installed electrical devices** such as electric locks.

: **Can be attached to a tapered panel with a width of 25 mm.**

: It needs a **minimum of space**. It is suitable for narrow door spaces due to its small design.

: **Easy to maintain.**



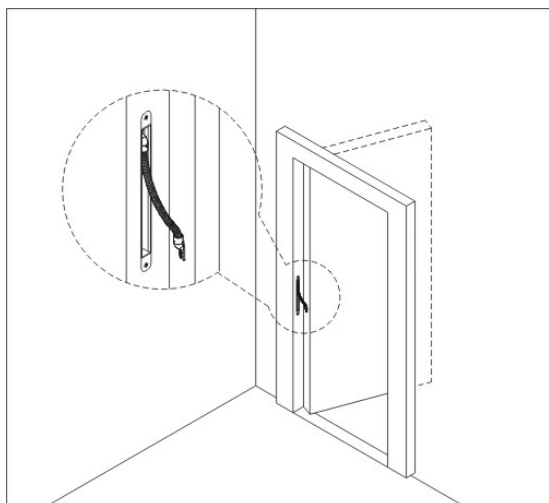
DIMENSIONS



TECHNICAL SPECIFICATIONS

Model:	SDM 50
Connector material:	Embedded box and connector: Iron
Conduit material:	Spring steel
Inner diameter of the conduit:	10,4 mm
Vnější průměr pružiny:	13,8 mm
Outside diameter of the conduit:	470 mm
Total length:	545 mm
Weight:	503 g

STUCTURE DIAGRAM



The leader in door opening solution
www.zadlabacipruchoodky.cz
www.acssolution.cz

Updated: 9/2022 | ACS Solution s.r.o. Specifications are subject to change without prior notice. Note: The colors of the images in this brochure may differ from the actual colors.

POWER TRANSFER DOOR LOOP - DL 500 TB

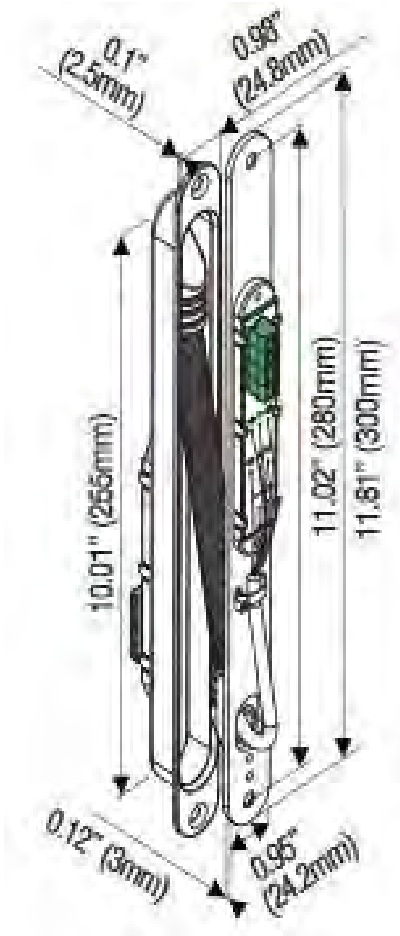
Power transfer door loops DL-500 TB offer a protective means of running wires from the frame to door installed with electrical devices, such as electrified locks. These power transfer door loops **prevent foreign objects from damaging the wires** and also produce aesthetically pleasing appearance. Surface and concealed mortise mount power transfer loops are provided.

PROPERTIES

Mortise mount:

- 8 conductor and 24 gauge,
- detachable terminal blocks,
- round corner,
- Zinc alloy case with ivory finish,
- Stainless steel flex conduct,
- for wood frame.

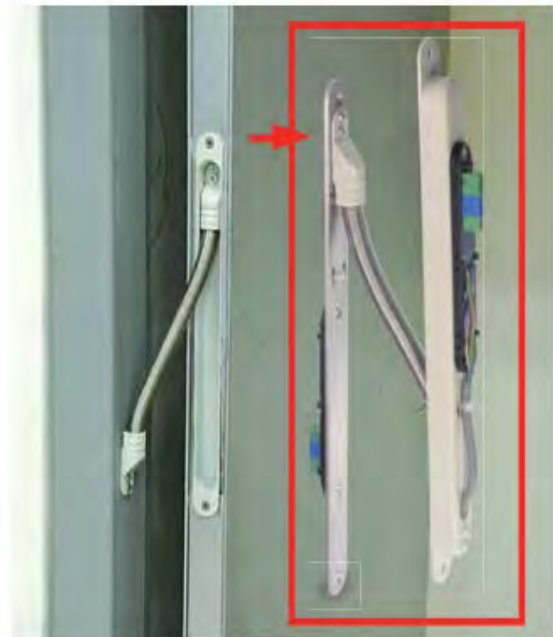
DIMENSIONS



TECHNICAL SPECIFICATIONS

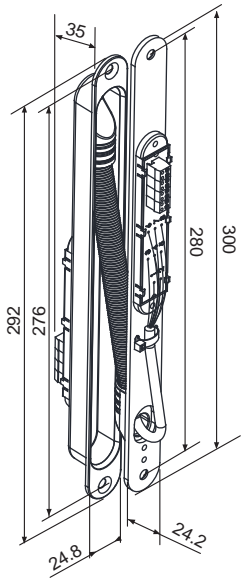
MModel:	DL 500 TBL 500 TB
MConnector material:	Zinc alloy
MConduit material:	Stainless steel

STUCTURE DIAGRAM



The leader in door opening solution
www.zadlabacipruchodky.cz
www.acssolution.cz

Updated: 9/2022 | ACS Solution s.r.o. Specifications are subject to change without prior notice. Note: The colors of the images in this brochure may differ from the actual colors.



Unit: mm

DL-500-TB

Power Transfer Door Loop
(With Plug-in Terminal Block)
Installation Instructions

【Suitable for wooden door frames with round drilling holes】

Accessories



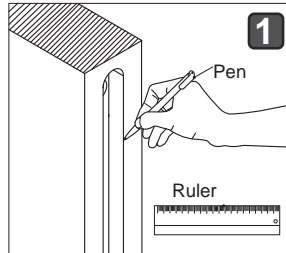
5x50 Wooden screws x 4



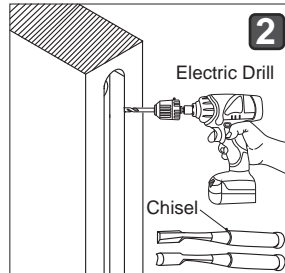
Shim x4

1

Installation Steps

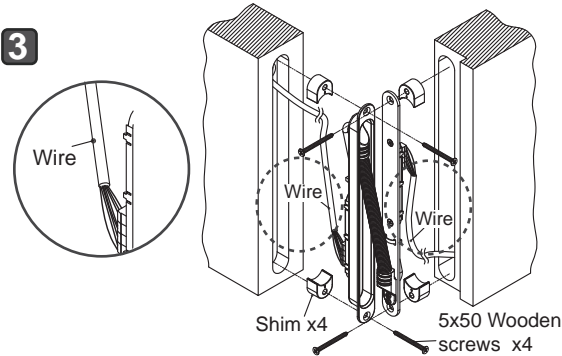


- Measure the dimension and depth of DL-500-TB as per diagram on the left and mark on the frame.



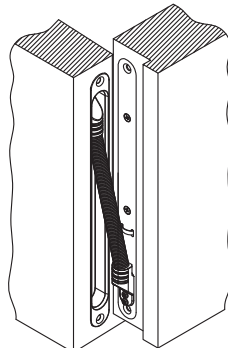
- Drill holes in the marked positions on the door and frame to the deepest depth and trim with the chisel.

3



- Place the shim behind the DL-500-TB case. Connect the wires to the terminal block located on the both ends of DL-500-TB and test the unit.
- Use 5x50 wooden screws to secure the unit and fix tightly with the front locking piece.

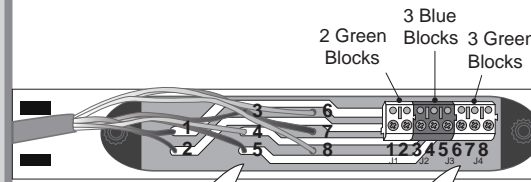
4



- Make sure the DL-500-TB is completely embedded into the door and frame.

2

Terminal Block Wiring Diagram



Wire

1 Red	+
2 Black	-
3 Grey	NC
4 White	COM
5 Orange	NO
6 Yellow	NC
7 Green	COM
8 Blue	NO

Terminal Block

2 Green Blocks	1 Red +
	2 Black -
	3 Grey NC
3 Blue Blocks	4 White COM
	5 Orange NO
	6 Yellow NC
3 Green Blocks	7 Green COM
	8 Blue NO

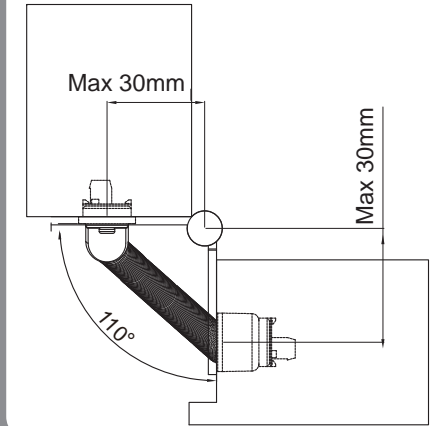
Note:

Wire color numbers match terminal block numbers, and the terminal blocks on both sides are labeled with the same number.

For each side, the Red wire 1 is connected to the terminal 1 of the Green Block, the Black wire 2 is connected to the terminal 2 of the Green Block, and so on.

3

Door Opening Angle & Installaioth Distance



4

Concealed Door Loop Installation

